

## Using the reheat setting

The reheat setting allows you to reheat toast which has gone cold.

**STEP 1:** Make sure that the crumb tray is pushed fully into the toaster and that the toasting lever is in the upright position.

**STEP 2:** Plug in and switch on the toaster at the mains power supply.

**STEP 3:** Set the browning control dial to the desired setting.

**STEP 4:** Insert the cold toast into the toasting slots and lower the loading lever until it is locked into position. Reheating will begin once the lever is fully lowered and 'REHEAT' has been pressed (this will remain illuminated throughout the reheating process).

**STEP 5:** When the reheat setting has completed its cycle, the bread will pop up automatically.

**STEP 6:** If the bread has not fully reheated, repeat steps 3–4. To stop the cycle, press 'CANCEL'.

**STEP 7:** Switch off and unplug the toaster from the mains power supply.

**STEP 8:** Remove the food from the toasting slots using heat-resistant oven gloves. Gently lift the loading lever to raise the toast out of the toasting slots so that it can be more easily removed.

## Automatic centring guides

Lowering the loading lever closes the centring guides and holds the bread centrally in the toasting slots.



**NOTE:** The loading lever will not lock down unless the toaster is plugged into a mains power supply and is switched on.

## Crumb tray

The toaster is equipped with a crumb tray, which should be periodically emptied so that the toaster operates correctly.

To remove the crumb tray, which is situated at the back of the toaster unit, pull the back handle towards the user.

Empty the crumb tray and then reinsert it, pushing it until it clicks back into position.

## Storage

The toaster must be cool, clean and dry before storing in a cool, dry place.

Never wrap the cord tightly around the toaster; wrap it loosely to avoid causing damage.

## Specification

Product code: EK6553

Input: 220–240 V ~ 50/60 Hz

Output: 780–930 W



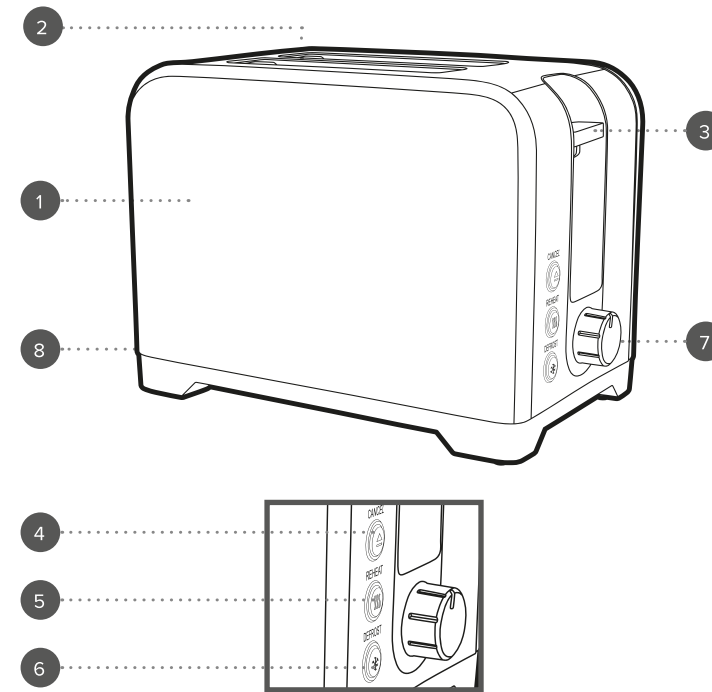
### Disposal of Waste Batteries and Electrical and Electronic Equipment



This symbol on the product, its batteries or its packaging means that this product and any batteries it contains must not be disposed of with household waste. Instead, it is the user's responsibility to hand this over to an applicable collection point for the recycling of batteries and electrical and electronic equipment. This separate collection and recycling will help to conserve natural resources and prevent potential negative consequences for human health and the environment due to the possible presence of hazardous substances in batteries and electrical and electronic equipment, which could be caused by inappropriate disposal. Some retailers provide take-back services which allow the user to return exhausted equipment for appropriate disposal. **It is the user's responsibility to delete any data on electrical and electronic equipment prior to disposal.** For more information about where to drop batteries, electrical and electronic waste off, please contact the local city/municipality office, household waste disposal service, or the retailer.

# User manual

## Toaster



- |                                    |                                      |
|------------------------------------|--------------------------------------|
| 1. Toaster housing                 | 5. Reheat button ( <b>REHEAT</b> )   |
| 2. Toaster slots                   | 6. Defrost button ( <b>DEFROST</b> ) |
| 3. Loading lever                   | 7. Browning control dial             |
| 4. Cancel button ( <b>CANCEL</b> ) | 8. Removable crumb tray              |

Manufactured by:  
Ultimate Products UK Ltd.,  
Victoria Street, Manchester OL9 0DD. **UK.**  
Ultimate Products Europe Ltd.,  
19 Baggot Street Lower, Dublin D02 X658. **ROI.**

**MADE IN CHINA.**

CD180924/MD000000/V1

Please retain instructions for future reference.

## SAFETY INSTRUCTIONS

- When using electrical appliances, basic safety precautions should always be followed.
- Check that the voltage indicated on the rating plate corresponds with that of the local network before connecting the appliance to the mains power supply.
- This appliance can be used by children aged from 8 years and above and persons with reduced physical, sensory or mental capabilities and knowledge, if they have been supervised/instructed and understand the hazards involved.
- Children shall not play with the appliance.
- Children should not perform cleaning or user maintenance, unless they are older than 8 and supervised.
- This appliance is not a toy.
- If the power supply cord, plug or any part of the appliance is malfunctioning or if it has been dropped or damaged, cease using the product immediately to avoid potential injury.
- This appliance contains no user serviceable parts, only a qualified electrician should carry out repairs. Improper repairs may place the user at risk of harm.
- Keep the appliance and its power supply cord out of the reach of children.
- Keep the appliance out of the reach of children when it is switched on or cooling down.
- Keep the appliance and its power supply cord away from heat or sharp edges that could cause damage.
- Keep the power supply cord away from any parts of the appliance that may become hot during use.
- Keep the appliance away from other heat emitting appliances.
- Do not allow the power supply cord to hang over worktops, touch hot surfaces or become twisted.
- Do not immerse the electrical components of the appliance in water or any other liquid.
- Do not operate the appliance with wet hands or if any connections are wet.
- If this appliance falls or accidentally becomes immersed in water, unplug it from the wall outlet immediately. Do not reach into the water.
- Do not leave the appliance unattended whilst connected to the mains power supply.
- Do not remove the appliance from the mains power supply by pulling the cord; switch it off and remove the plug by hand.
- Do not pull or carry the appliance by its power supply cord.
- Do not use the appliance for anything other than its intended use.
- Do not use any accessories other than those supplied.
- Do not use this appliance outdoors.
- Do not store the appliance in direct sunlight or in high humidity conditions.
- Do not move the appliance whilst it is in use.

- Always unplug the appliance after use and allow it to cool fully before any cleaning, user maintenance or storing away.
- Always use the appliance on a stable, heat-resistant surface, at a height that is comfortable for the user.
- This appliance should not be operated by means of an external timer or separate remote control system.
- Use of an extension cord with the appliance is not recommended.
- This appliance is intended for domestic use only. It should not be used for commercial purposes.



**CAUTION:** Hot surface – do not touch hot sections or heating components of the appliance.



**WARNING:** Keep the appliance away from flammable materials.

## Care and maintenance

**STEP 1:** Before attempting any cleaning or maintenance, unplug the toaster from the mains power supply and allow to fully cool.

**STEP 2:** Wipe the toaster housing with a soft, damp cloth and dry thoroughly.

**STEP 3:** Remove crumbs from the crumb tray by following the instructions in the section entitled 'Crumb tray'.



**CAUTION:** Never use harsh or abrasive cleaning detergents or scourers to clean the toaster, as this could damage the surface. Never place fingers near or inside the toasting slots. Always unplug the toaster and allow it to cool thoroughly before attempting to remove any bread that has become stuck inside the toasting slot. Take care when removing food from the toasting slots to avoid damage to the internal mechanism and heating element. Do not allow crumbs to build up inside the base of the toaster. Empty the crumb tray periodically. Do not operate the toaster without bread, as this may cause damage to the toaster.

## Instructions for use

### Before first use

Before using the toaster for the first time, wipe the toaster housing with a soft, damp cloth and dry thoroughly.



**NOTE:** When using the toaster for the first time, a slight smoke or odour may be emitted. This is normal and will soon subside. Allow for sufficient ventilation around the toaster.

## Using the toaster

**STEP 1:** Place the toaster onto a flat, stable, heat-resistant surface at a height that is comfortable for the user. Make sure that the crumb tray is pushed fully into the toaster and that the toasting lever is in the upright position, with no bread or other objects inserted to the toasting slots.

**STEP 2:** Plug in and switch on the toaster at the mains power supply.

**STEP 3:** Turn the browning control dial to the desired setting. Select 3–4 for medium brown toast.

**STEP 4:** Insert the bread or food to be toasted into the toasting slots and lower the toasting lever until it is locked into place. Toasting will begin when the lever is fully down.

**STEP 5:** When the toast reaches the desired browning level, the toast will pop up automatically.

**STEP 6:** Turn the toaster off and unplug it from the mains power supply.

**STEP 7:** Remove the food and any crumbs from the toast slots using heat-resistant gloves. Gently lift the loading lever to raise the food out of the toasting slots so that it can be more easily removed.



**NOTE:** To interrupt toasting mid-setting, press 'CANCEL'. The cancel button will remain illuminated throughout the toasting cycle.



**CAUTION:** Do not toast pastries with runny fillings or frosting. Do not toast torn slices of bread. Do not allow bread to burn.



**WARNING:** Never use a fork or sharp-edged utensil to remove toast, as this may damage the heating element or cause injury.

## Using the defrost setting

The defrost setting allows you to defrost or it can toast bread from frozen.

**STEP 1:** Make sure that the crumb tray is pushed fully into the toaster and that the toasting lever is in the upright position.

**STEP 2:** Plug in and switch on the toaster at the mains power supply.

**STEP 3:** Set the browning control dial to the desired setting.

**STEP 4:** Insert the frozen bread into the toasting slots and lower the loading lever until it is locked into position. Defrosting will begin once the lever is fully lowered and 'DEFROST' has been pressed (this will remain illuminated throughout the defrost process).

**STEP 5:** When the defrost setting has completed its cycle, the bread will pop up automatically.

**STEP 6:** If the bread has not fully defrosted, repeat steps 3–4. To stop the cycle, press 'CANCEL'.

**STEP 7:** Switch off and unplug the toaster from the mains power supply.

**STEP 8:** Remove the food from the toasting slots using heat-resistant oven gloves. Gently lift the loading lever to raise the toast out of the toasting slots so that it can be more easily removed.